



Rijkswaterstaat  
*Ministry of Infrastructure and the  
Environment*



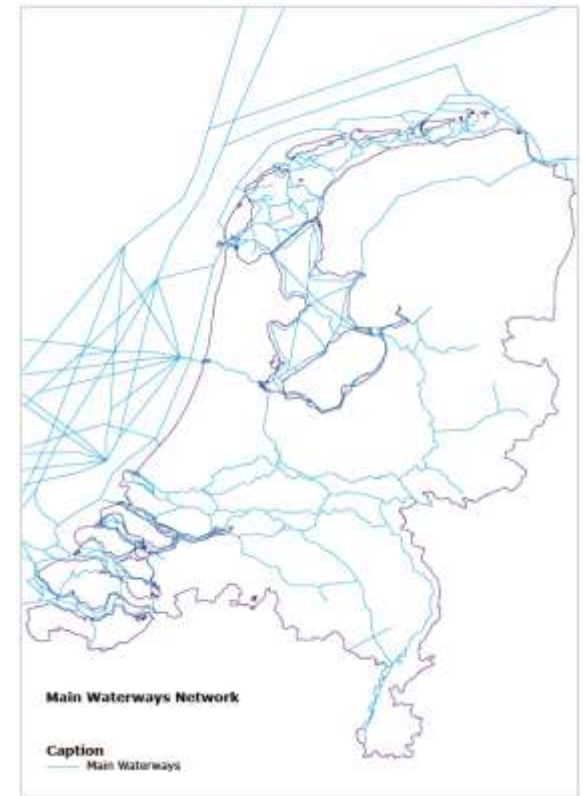
## The challenge of creating responsive infrastructure connections

Cees Brandsen  
Rijkswaterstaat  
Next Generation Infrastructures



# Role Rijkswaterstaat

- Rijkswaterstaat is one of the Netherlands' major infrastructure providers





# Water safety

- Rijkswaterstaat 'keeps our feet dry'
- Approximately 70% of the Netherlands' land surface is prone to flood risks
- 70% of our Gross National Product is generated in areas prone to flood risks





# National road and waterway networks

## National road network

- 5.697 km
- 5.146 structures

## National waterway network

- 7.609 km
- 422 structures

## National water system

- 65.147 km<sup>2</sup>
- 232 structures





# Vertical dependency

**Internationaal**

Rhine committee

Port of  
Rotterdam

Rijkswaterstaat

Provinces

Water boards

Municipalities



**Local**



# Horizontal dependency





## Common interests and knowledge





# Convergence of infrastructure – Electrical mobility





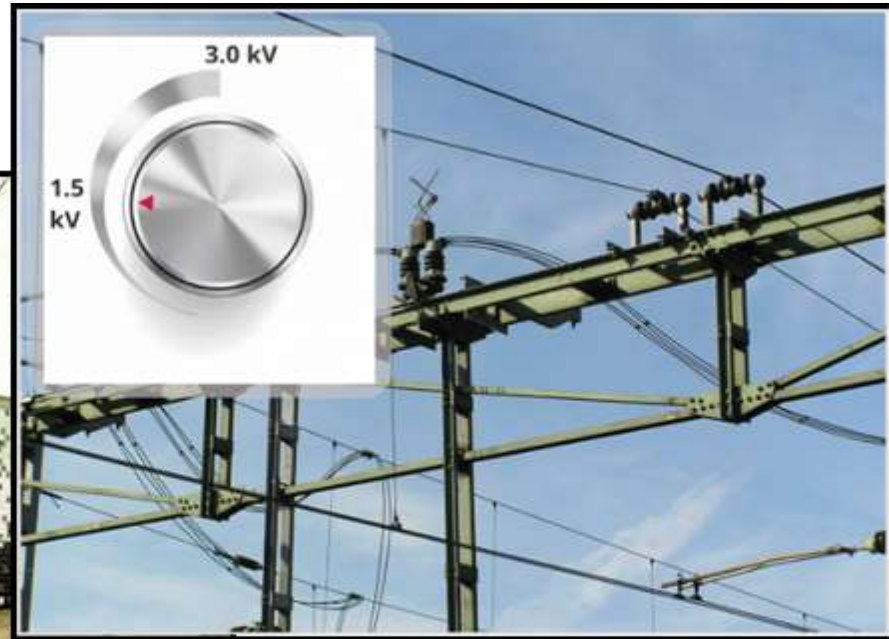


# Convergence of infrastructure – energy from river





# Convergence of infrastructure - railway

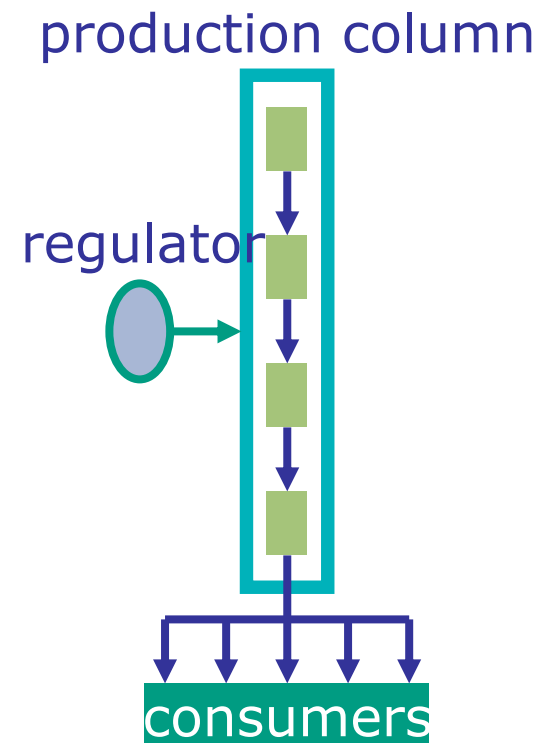




# Growing Social Networks from monolith to fragmented

## Monolith

Vertical integration  
Monopoly in each level  
One public enterprise  
Single agent regulation





# Fragmentation: increasing number of actors

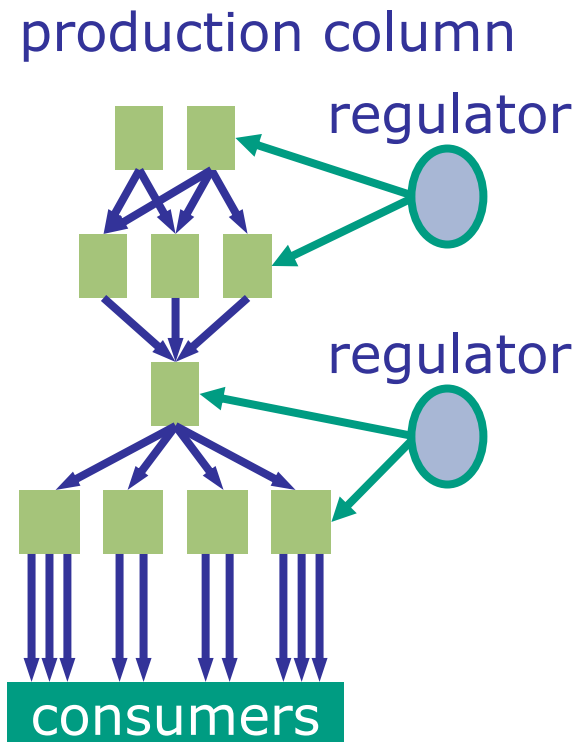
fragmented

Vertical unbundling

Competition in each level (if possible)

Public and private ownership

Multiple regulators of multiple agents





## Excellent performance



# cooperation



ProRail



CREATING  
RESPONSIVE  
CONNECTIONS



